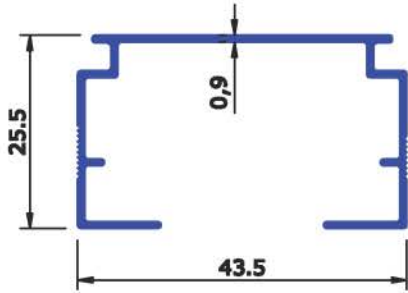
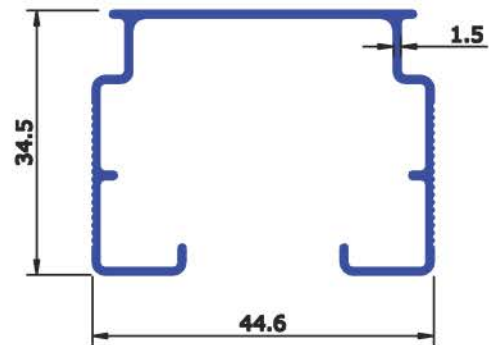


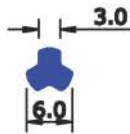
BLIND SECTIONS



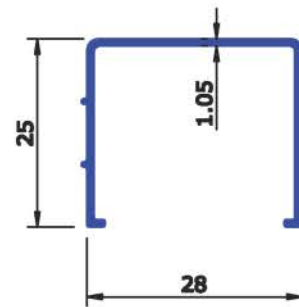
SEC No : 4106 WEIGHT Kg/Mtr 0.294



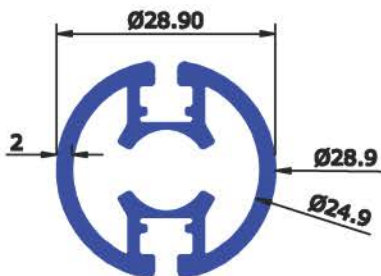
SEC No : 4109 WEIGHT Kg/Mtr 0.365



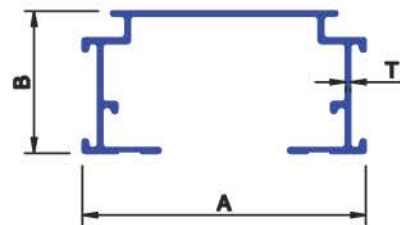
SEC No : 4111 WEIGHT Kg/Mtr 0.057



SEC No : 3012 WEIGHT Kg/Mtr 0.213

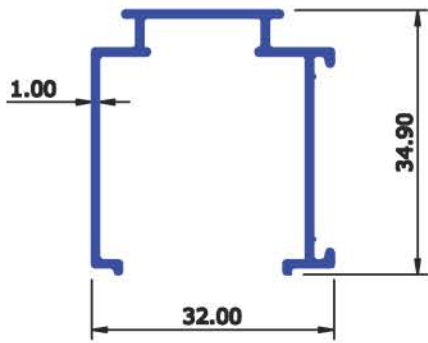


SEC No : 4156 WEIGHT Kg/Mtr 0.628

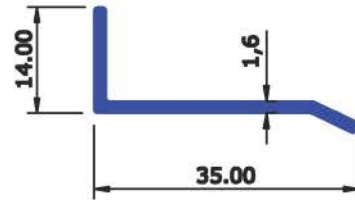


SL No.	SECTION No.	A	B	T	WEIGHT KG/Mtr
1	4208	50.00	25.00	0.80	0.314
2	7966	50.00	25.00	0.90	0.355

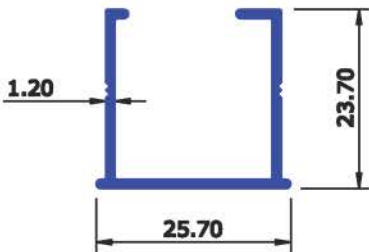
BLIND SECTIONS



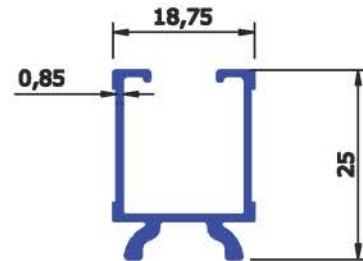
SEC No : 4530 WEIGHT Kg/Mtr 0.315



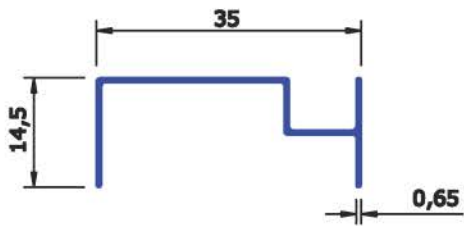
SEC No :- 4531 WEIGHT Kg/Mtr 0.205



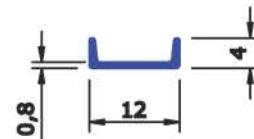
SEC No : 4532 WEIGHT Kg/Mtr 0.246



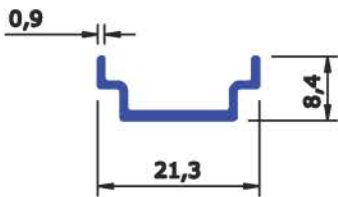
SEC No :- 4564 WEIGHT Kg/Mtr 0.221



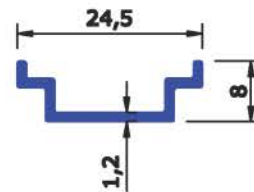
SEC No : 4593 WEIGHT Kg/Mtr 0.122



SEC No : 4594 WEIGHT Kg/Mtr 0.041

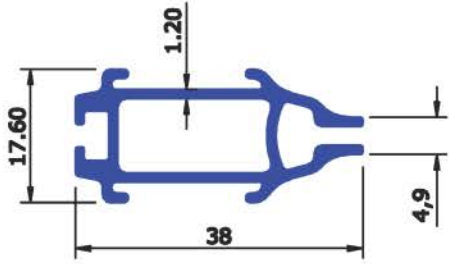


SEC No : 4595 WEIGHT Kg/Mtr 0.099

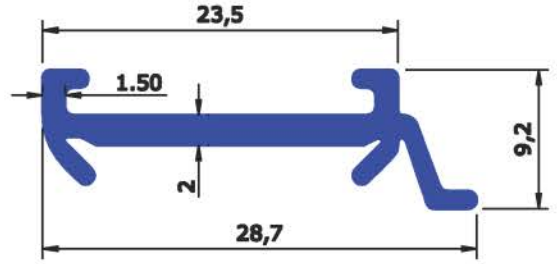


SEC No : 4213 WEIGHT Kg/Mtr 0.123

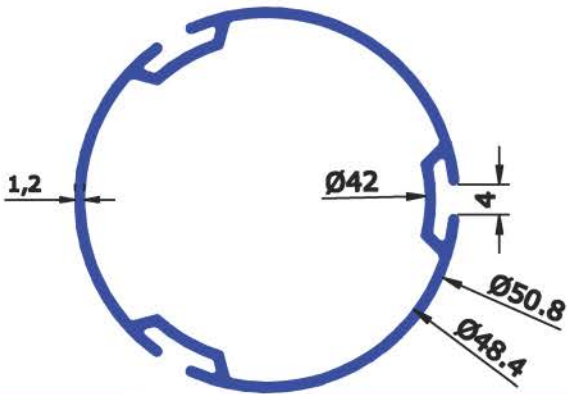
BLIND SECTIONS



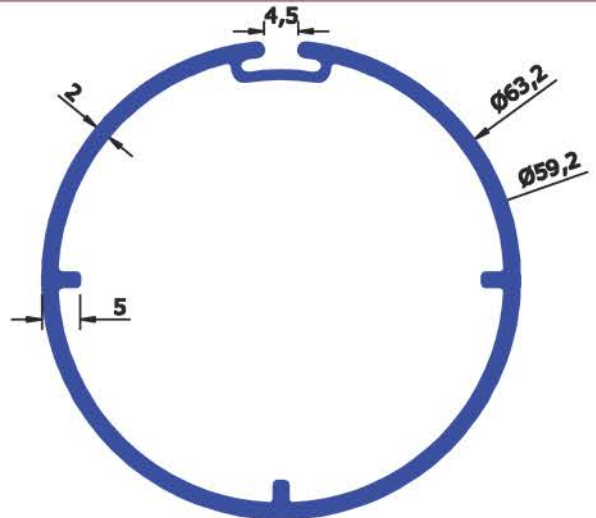
SEC No : 5021 WEIGHT Kg/Mtr 0.436



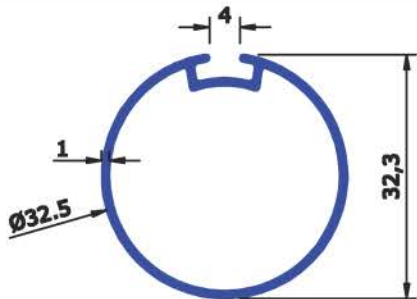
SEC No : 5023 WEIGHT Kg/Mtr 0.163



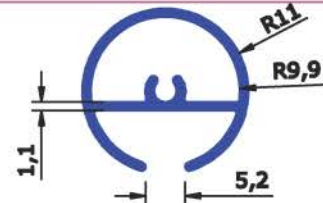
SEC No : 5022 WEIGHT Kg/Mtr 0.620



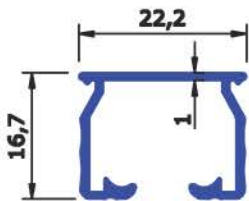
SEC No : 5025 WEIGHT Kg/Mtr 1.107



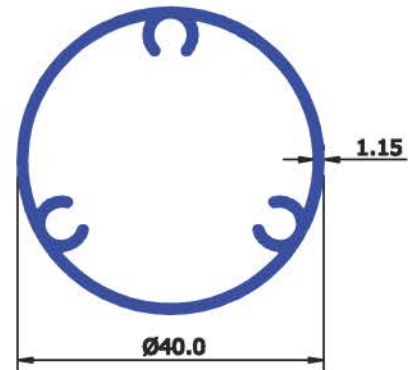
SEC No : 5029 WEIGHT Kg/Mtr 0.294



SEC No : 5030 WEIGHT Kg/Mtr 0.260

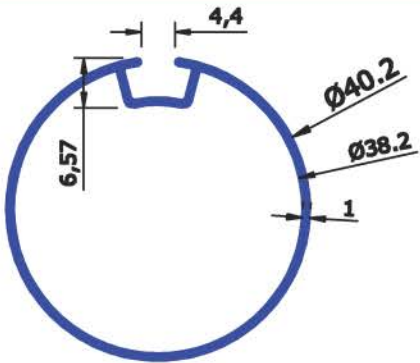


SEC No : 4789 WEIGHT Kg/Mtr 0.199

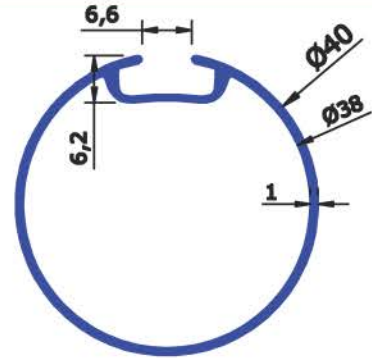


SEC No : 6314 WEIGHT Kg/Mtr 0.478

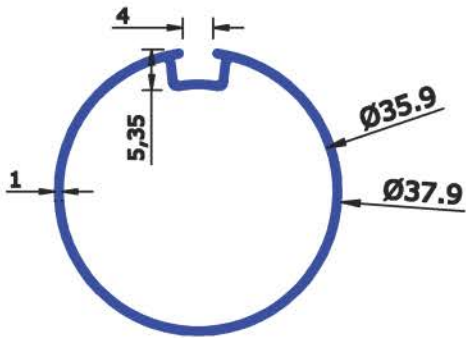
BLIND SECTIONS



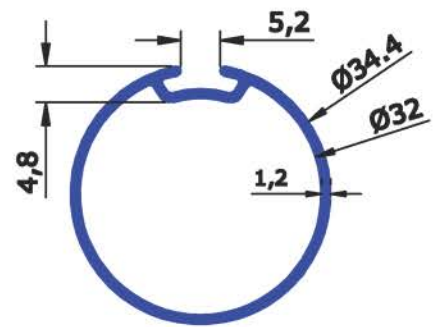
SEC No : 7482 WEIGHT Kg/Mtr 0.355



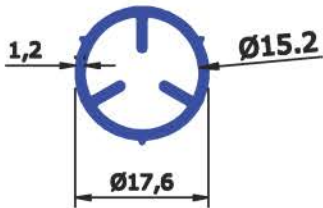
SEC No : 7483 WEIGHT Kg/Mtr 0.366



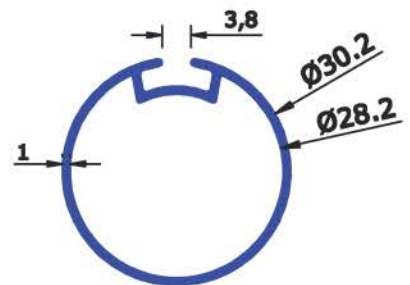
SEC No : 7484 WEIGHT Kg/Mtr 0.339



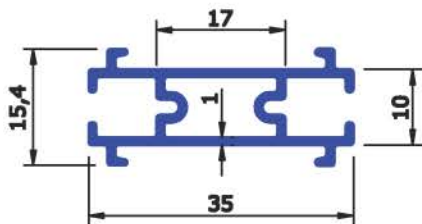
SEC No : 7497 WEIGHT Kg/Mtr 0.366



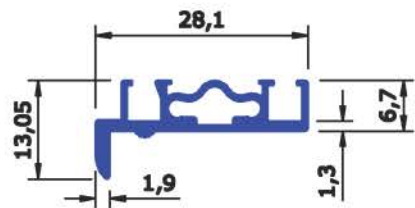
SEC No : 4730 WEIGHT Kg/Mtr 0.216



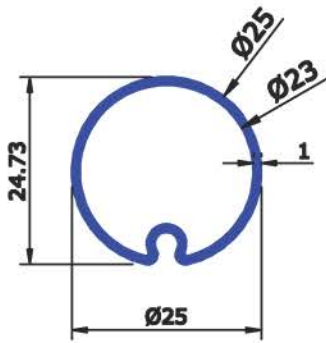
SEC No : 7921 WEIGHT Kg/Mtr 0.282



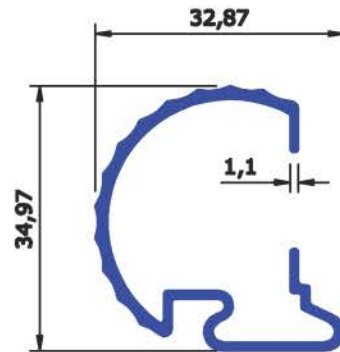
SEC No : 4835 WEIGHT Kg/Mtr 0.314



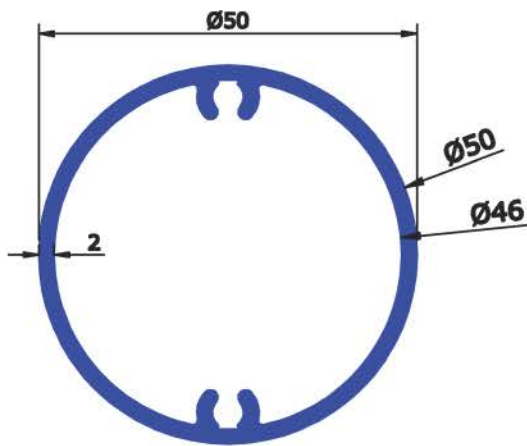
SEC No : 4836 WEIGHT Kg/Mtr 0.224



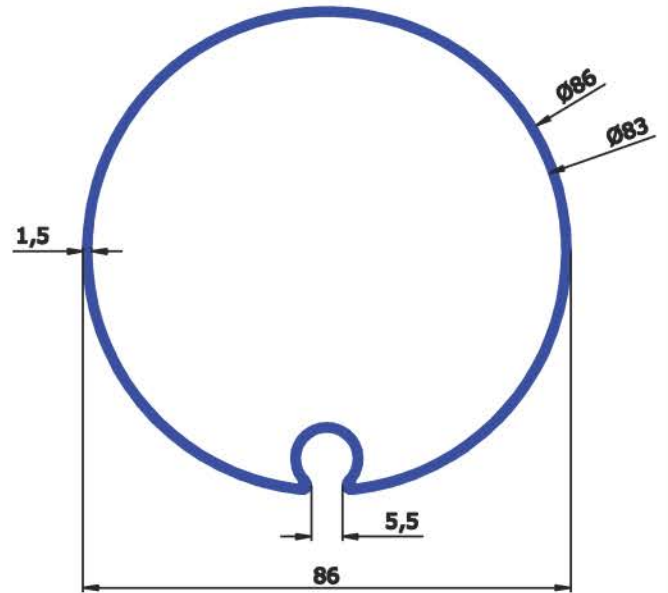
SEC No : 4723 WEIGHT Kg/Mtr 0.223



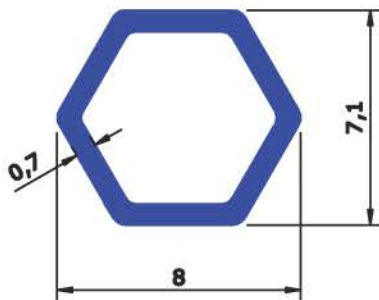
SEC No : 4570 WEIGHT Kg/Mtr 0.373



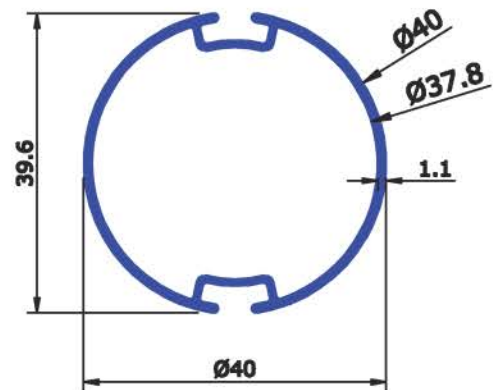
SEC No : 7819 WEIGHT Kg/Mtr 0.926



SEC No : 1366 WEIGHT Kg/Mtr 1.160

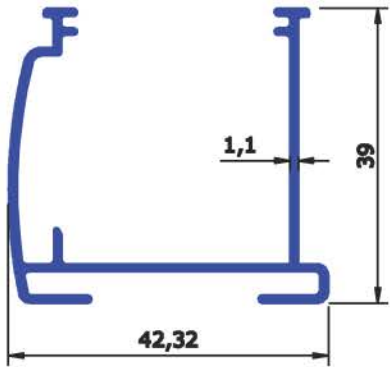


SEC No : 1362 WEIGHT Kg/Mtr 0.040

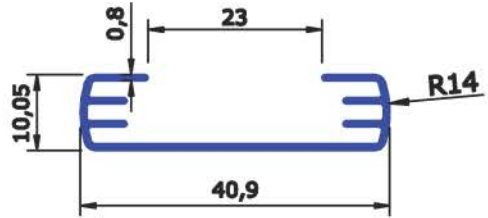


SEC No : 4682 WEIGHT Kg/Mtr 0.396

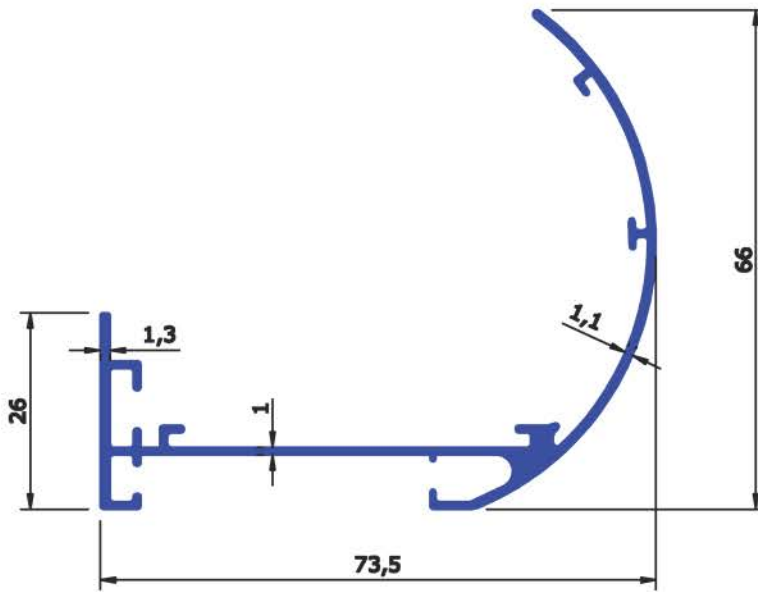
BLIND SECTIONS



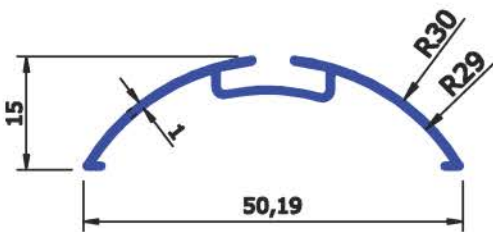
SEC No : 7485 WEIGHT Kg/Mtr 0.439



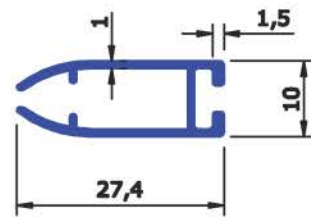
SEC No : 7486 WEIGHT Kg/Mtr 0.204



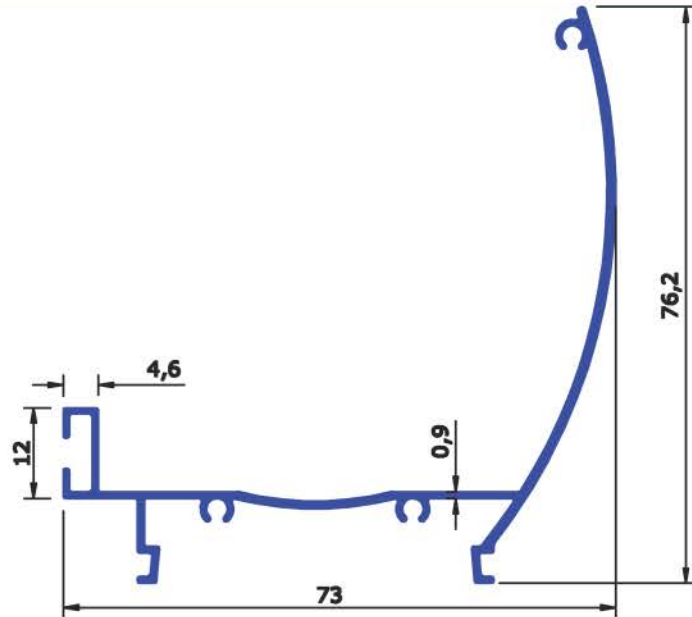
SECTION No : 7487 WEIGHT Kg/Mtr 0.642



SEC No : 7488 WEIGHT Kg/Mtr 0.211



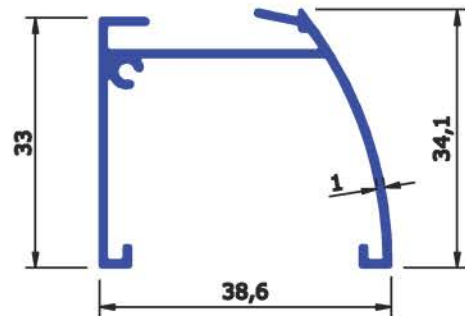
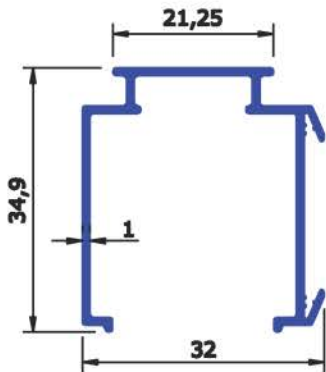
SEC No : 7489 WEIGHT Kg/Mtr 0.196



SECTION No : 7924

WEIGHT Kg/Mtr

0.526



SEC No: 7912

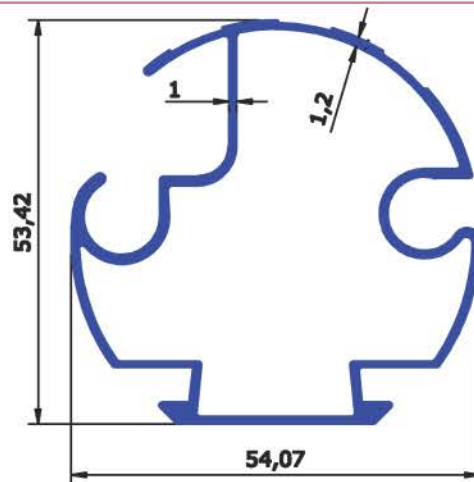
WEIGHT KG/Mtr

0.316

SEC No : 7913

WEIGHT Kg/Mtr

0.350

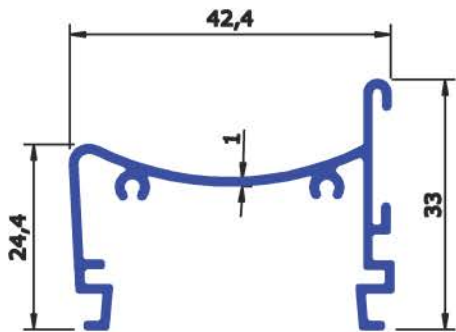


SECTION No : 4775

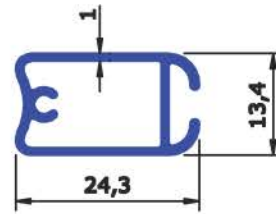
WEIGHT Kg/Mtr

0.717

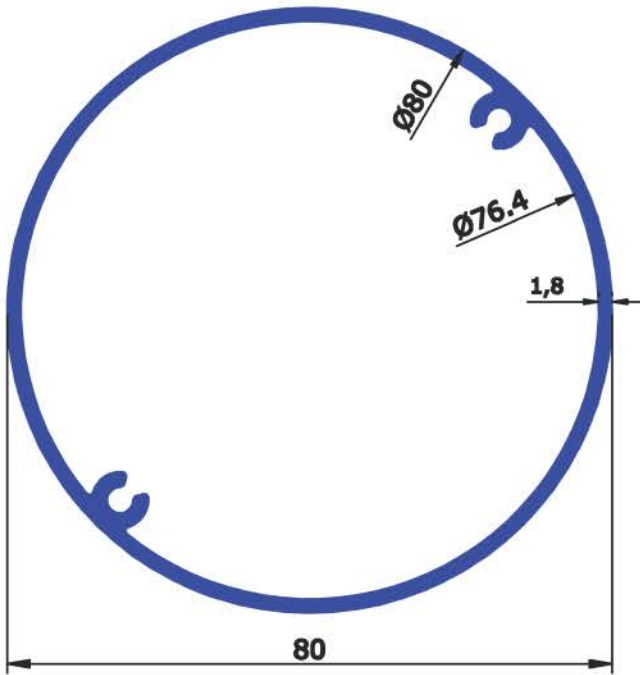
BLIND SECTIONS



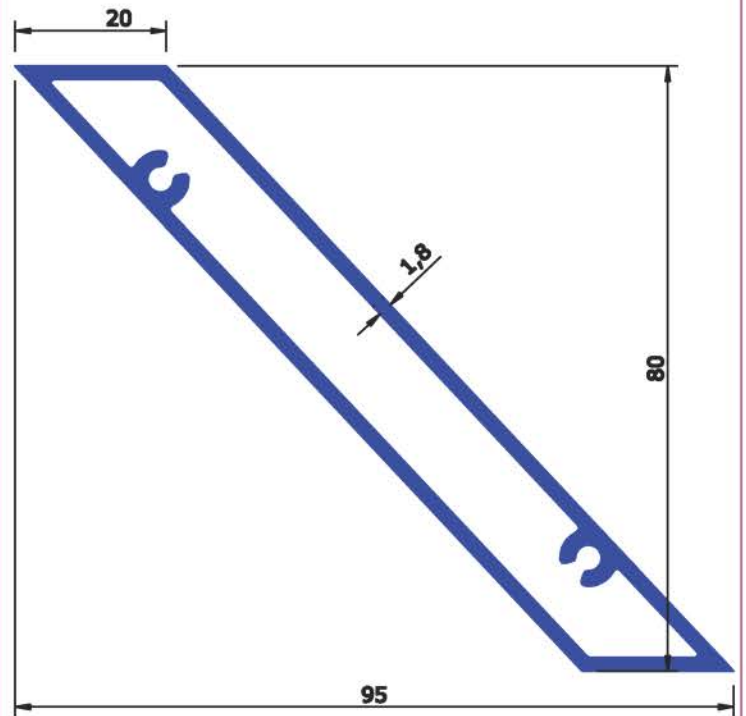
SEC No : 7923 WEIGHT Kg/Mtr 0.380



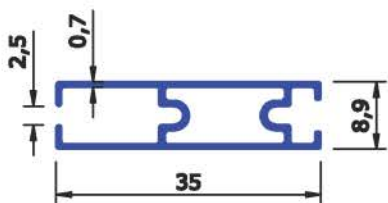
SEC No : 7920 WEIGHT Kg/Mtr 0.229



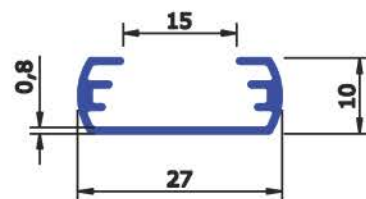
SEC No: 5679 WEIGHT KG/Mtr 1.331



SEC No: 5680 WEIGHT KG/Mtr 1.325



SEC No : 7919 WEIGHT Kg/Mtr 0.203



SEC No: 7914 WEIGHT KG/Mtr 0.150